

## LED Ceiling Light 1x3W



## Features and Benefits



- High Energy Savings
- High Colour Rendering
- No heat emitted, No IR, No UV
- Easy Installation
- No Toxic Mercury
- Constant Current Driver included

Die-cast aluminium housing

Equipped with high temperature glass or High-performance acrylic

Top-quality CREE LED

Ideal for all kinds of indoor applications

Surface finishing: Satin/Brushed gold/Chrome and Satin black

IP20

## Lifetime & Warranty

Expected Lifetime 50.000 hrs

Warranty 4 years



## Certificates

**CE RoHS**

**EN-60598**

**EN-55015**

**EN-61000**

**EN-61547**

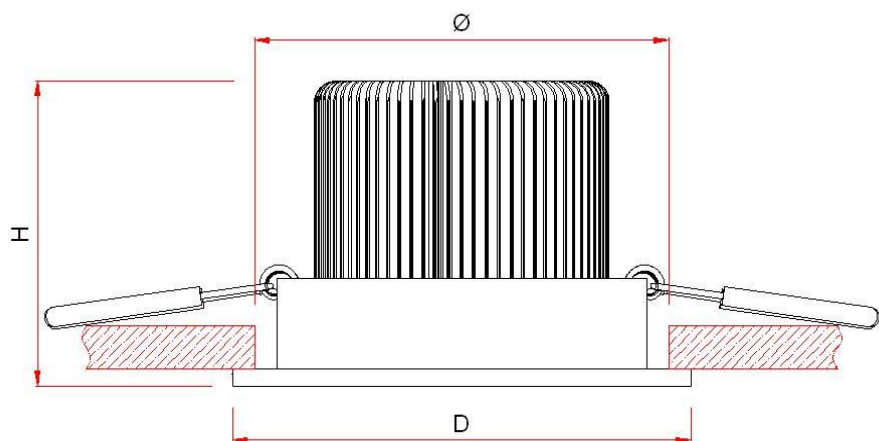
## Technical Performance

CODE	REFERENCE	COLOR TEMPERATURE	OPERATING WATTS	LED TYPE	SURFACE FINISHING	INPUT VOLTAGE	LUMINOUS FLUX (LM/W)	BEAN ANGLE	CRI
20550001	LED ceiling light 1x3W,WW,100-240V, Type A,stain surface,beam angle 15deg	3000k	1x3W	CREE	Stain	100-240V	90-100	15°	75
20550002	LED ceiling light 1X3W; WW,100-240V, Type B;brushed gold surface	3000k	1x3W	CREE	Brushed gold	100-240V	90-100	15°	75
20550003	LED ceiling light 1X3W; WW,100-240V, Type C;Chrome and Satin black surface	3000k	1x3W	CREE	Chrome and Satin black	100-240V	90-100	15°	75

## Dimensions

Dia. 71.5mm x H60mm

Drilling hole in ceiling: Ø60



## Installation

- Before the installation, make sure the installation area can hold minimum 10 times the device's weight(1kg), 10x1kg=10kg
- Install in no vibration, no swing, no fire hazards and flat areas. Install in places out of people's reach.
- Regarding materials to install it, ensure that screws or other materials used do not exceed the maximum capacity of the device.
- Connect the driver to the light. Never connect to the power directly
- Installation steps:
  1. Drill hole in the ceiling( Ø60)
  2. Connect the driver to the light. Never connect to the power directly  
Connect to power AC110-230V
  3. Turn on the spring of the lamp
  4. Upright the lamp and put it into the hole of the ceiling
  5. Release the spring and clamp

