

IF3012B



IRIS 2002, S.A.
C/San Agustin, 17 28014 Madrid SPAIN
T. +34 91 429 42 99 F.+34 91 369 05 93
www.irisled.com

Features and Benefits

- Waterproof:

Adopt new patent of air filter device for preventing moisture condensation inside the luminaire.

- Mounting:

A wide variety of mounting brackets available for different applications



- Quality components:

1. Integrated heating solution to guarantee the LED luminous efficiency and life span.
2. Imported silicon rubber material is adopted for waterproof gask
3. Universal voltage converter: AC100-240V+10%

Technical Parameter

Product type	IF3012B
LED	LUMILEDS
Single LED Wattage	3W
LED life span and warranty	50,000 hours, 2 years warranty
LED Quantity	12 pcs(single color) 18pcs (RGB)
LED color (single color)	Red Amber Green Blue White Warm White
LED color (color changing)	Multiple colors can be created
Beam angle	See lens options
Housing	6063 aluminium, anode dioxide finish
Glass material	5mm thickness tempered glass, Aluminum gray finish
Power input	AC100-240V±10%; 50/60Hz
LED driver	700mA constant driver
Power consumption	45W (single color), 92W (color changing)
Anti-static	IEC61000-4 (Level 4)
Ingress protection	IP66
Classification	I
Power supply cable	3x1.00mm ² rubber cable
Signal cable	Double screen for 4 pairs signal cable STP-5E
Control	DMX512 Compatible (1990)
Ambient operating Temperature	-20°C to +55°C (Ta +10°C)
Net weight	3.3 Kg

Code & Reference

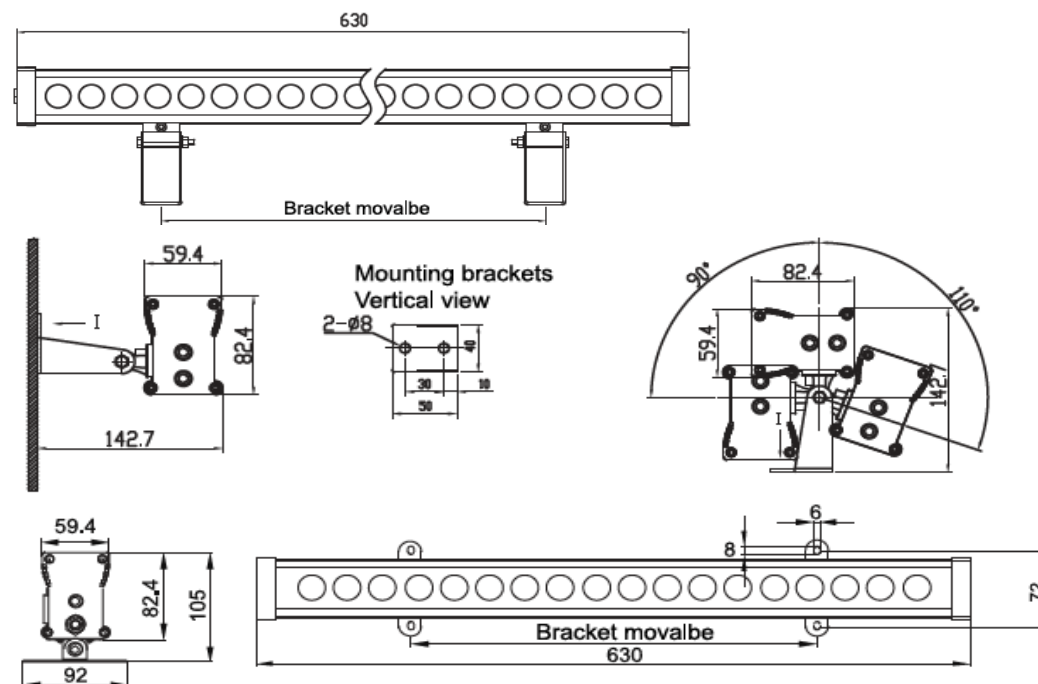
20111116	IF3012B-18X3W-40deg-RE-RGB-(AC100-240V)
20111117	IF3012B-12X3W-40deg-RE-R-(AC100-240V)
20111118	IF3012B-12X3W-40deg-RE-G-(AC100-240V)
20111119	IF3012B-12X3W-40deg-RE-B-(AC100-240V)
20111120	IF3012B-12X3W-40deg-RE-A-(AC100-240V)
20111121	IF3012B-12X3W-40deg-RE-WDL-(AC100-240V)
20111122	IF3012B-12X3W-40deg-RE-WA-(AC100-240V)

Available beam angles:

Single color: 15°, 25°, 40°, 60°

RGB: 15°, 25°, 40°, 60°, 4525

Dimensions (mm)

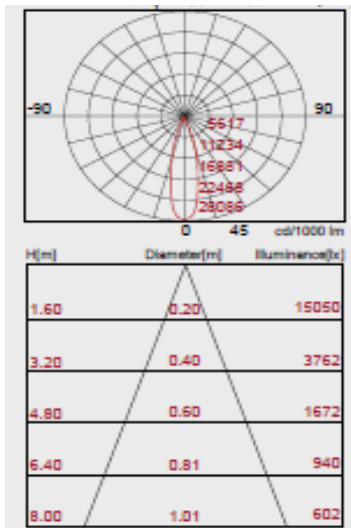


IRIS 2002, S.A.

C/San Agustin, 17 28014 Madrid SPAIN
T. +34 91 429 42 99 F.+34 91 369 05 93

www.iristed.com

Distribution Curve



Color	Total output	Power (W)
White	1560lm	45

System Control (single color)



- Remarks:
- (1) Maximum serial connective number of lights is 10PCS, new power cable is needed for over 10PCS;
 - (2) Maximum serial connective number of lights is 5PCS for input voltage DC36V

System Control (color changing)



- Remarks:
- (1) Maximun serial connective number of lights is 10PCS, new power cable is needed for over 10 PCS;
 - (2) Maximun serial connective number of lights is 4PCS for input voltage DC36V
 - (3) Lenght of signal cable is more than 300m or number of lights is more than 32PCS, new booster is needed.