

LED Ceiling Light 12x1W



Features and Benefits



- High Energy Savings
- High Colour Rendering
- No heat emitted, No IR, No UV
- Easy Installation
- No Toxic Mercury
- Constant Current Driver included

Die-cast aluminium housing

Equipped with high temperature glass or High-performance acrylic

Top-quality CREE LED

Ideal for all kinds of indoor applications

Surface finishing: Brushed gold /Satin /Chrome and Satin black

IP20

Lifetime & Warranty

Expected Lifetime 50.000 hrs

Warranty 4 years



Certificates

CE RoHS

EN-60598

EN-55015

EN-61000

EN-61547

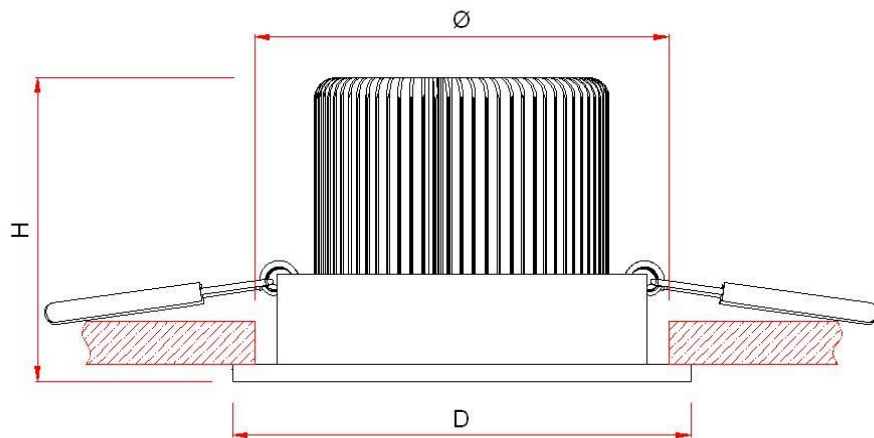
Technical Performance

CODE	REFERENCE	COLOR TEMPERATURE	OPERATING WATTS	LED TYPE	SURFACE FINISHING	INPUT VOLTAGE	LUMINOUS FLUX (lm/W)	BEAN ANGLE	CRI
20550010	LED ceiling light 12x1W; WW,100-240V,Type A;brushed gold surface	3000k	12x1W	CREE	Brushed gold	100-240V	90-100	45°	75
20550011	LED ceiling light 12x1W; WW,100-240V,Type C;stain surface	3000k	12x1W	CREE	Satin	100-240V	90-100	45°	75
20550012	LED ceiling light 12x1W; WW,100-240V,Type D;Chrome and Satin black surface	3000k	12x1W	CREE	Chrome and Satin black	100-240V	90-100	45°	75

Dimensions

Dia.137mm x H84mm

Drilling hole in ceiling: Ø120



Installation

- Before the installation, make sure the installation area can hold minimum 10 times the device's weight(1kg), 10x1kg=10kg
- Install in no vibration, no swing, no fire hazards and flat areas. Install in places out of people's reach.
- Regarding materials to install it, ensure that screws or other materials used do not exceed the maximum capacity of the device.
- Installation steps:
 1. Drill hole in the ceiling(Ø120)
 2. Connect the driver to the light. Never connect to the power directly
Connect to power AC110-230V
 3. Turn on the spring of the lamp
 4. Upright the lamp and put it into the hole of the ceiling
 5. Release the spring and clamp

