

IF3071A



Features and Benefits



- **Waterproof:**

Adopt new patent of air filter device for preventing moisture condensation inside the luminaire.

- **Mounting:**

Vertical & horizontal angle adjustment.

- **Quality components:**

1. Integrated heating solution to guarantee the LED luminous efficiency and life span.
2. Imported silicon rubber material is adopted for waterproof gask
3. Low voltage converter: DC36V

Code & Reference

20111166	IF3071A-36X1W-40deg-RE-R-(DC36V)
20111167	IF3071A-36X1W-40deg-RE-G-(DC36V)
20111168	IF3071A-36X1W-40deg-RE-B-(DC36V)
20111169	IF3071A-36X1W-40deg-RE-A-(DC36V)
20111170	IF3071A-36X1W-40deg-RE-WDL-(DC36V)
20111171	IF3071A-36X1W-40deg-RE-WA-(DC36V)

Available beam angles:

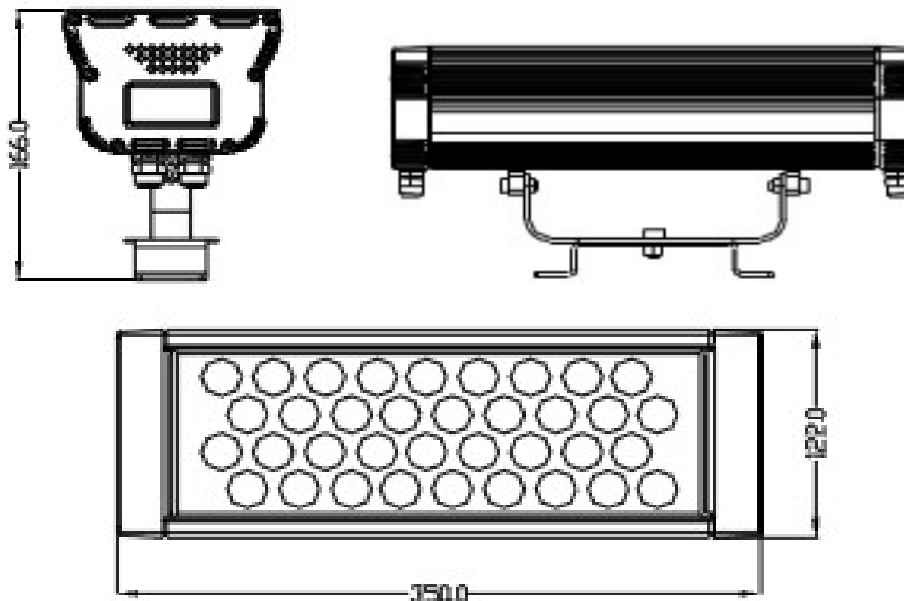
Single color: 15°, 25°, 40°, 60°

RGB: 15°, 25°, 40°, 60°, 4525

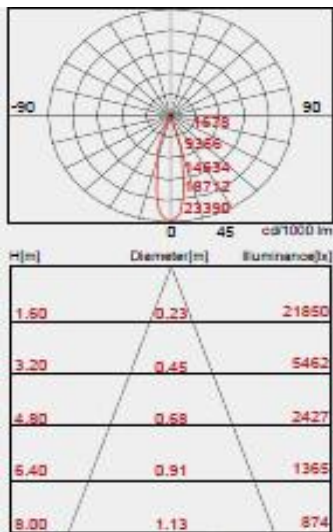
Technical Parameter

Product type	IF3071A
LED	LUMILEDS
Single LED Wattage	1W
LED life span and warranty	50,000 hours, 2 years warranty
LED Quantity	36 pcs
LED color (single color)	Red Amber Green Blue White Warm White
LED color (color changing)	Multiple colors can be created
Beam angle	See lens options
Housing	6063 aluminium, anode dioxide finish
Glass material	6mm thickness tempered glass, Aluminum gray finish
Power input	DC36V
LED driver	350mA constant driver
Power consumption	38W
Anti-static	IEC61000-4 (Level 4)
Ingress protection	IP66
Classification	III
Power supply cable	3x1.00mm ² rubber cable
Signal cable	Double screen for 4 pairs signal cable STP-5E
Control	DMX512 Compatible (1990)
Ambient operating Temperature	-20°C to +55°C (Ta +10°C)
Net weight	3.6 Kg

Dimensions (mm)



Distribution Curve



Color	Total output	Power (W)
White	2321	38

System Control (single color)



Remarks:
 (1) Maximun serial connective number of lights is 8PCS, new power cable is needed for over 8 PCS;

System Control (color changing)



Remarks:
 (1) Maximun serial connective number of lights is 8PCS, new power cable is needed for over 8 PCS;
 (3) Lenght of signal cable is more than 300m or number of lights is more than 32PCS, new booster is needed.