

IU1034B5



IRIS 2002, S.A.  
C/San Agustin, 17 28014 Madrid SPAIN  
T. +34 91 429 42 99 F.+34 91 369 05 93  
[www.irisled.com](http://www.irisled.com)

## Features and Benefits



- Decoder:

Integrated decoder into luminaire.

- Mounting:

Vertical & horizontal angle adjustment.

- Quality components:

- 1.Integrated heating solution to guarantee the LED luminous efficiency and life span.
- 2.Imported silicon rubber material is adopted for waterproof gask
- 3.Low voltage converter: DC12V

## Technical Parameter

Product type	IU1034B5
LED	LUMILEDS
Single LED Wattage	2W
LED life span and warranty	50,000 hours, 2 years warranty
LED Quantity	18 pcs
LED color (single color)	Red Amber Green Blue White Warm White
LED color (color changing)	Red、Green、Blue
Beam angle	See lens options
Housing	Brass (H62)
Glass material	10mm thickness tempered glass
Power input	DC12V
LED driver	500mA constant driver
Power consumption	40W
Ingress protection	IP68
Classification	III
Power supply/signal cable	2x1.0mm <sup>2</sup> rubber cable(single color); 3x1.0mm <sup>2</sup> rubber cable(color changing)
Control	DMX512 Compatible (1990)
Ambient operating Temperature	-20°C to +55°C (Ta +10°C)
Net weight	5.5 Kg

## Code & Reference

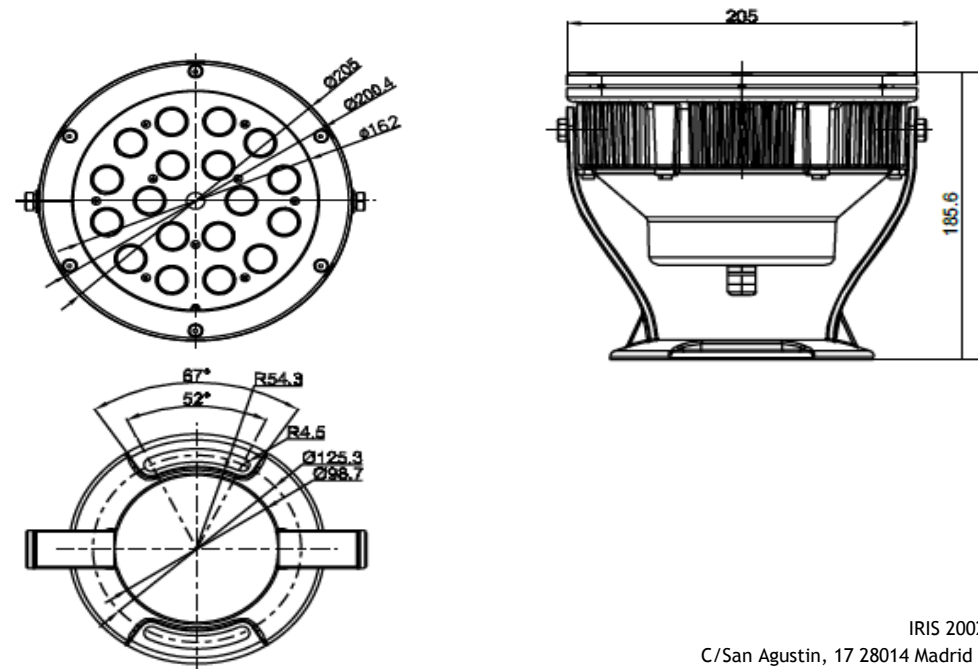
20111631	IU1034B5-18X2W-25deg-RGB(DC12V)
20111632	IU1034B5-18X2W-25deg-R(DC12V)
20111633	IU1034B5-18X2W-25deg-G(DC12V)
20111634	IU1034B5-18X2W-25deg-B(DC12V)
20111635	IU1034B5-18X2W-25deg-A(DC12V)
20111636	IU1034B5-18X2W-25deg-WH(DC12V)
20111637	IU1034B5-18X2W-25deg-WA(DC12V)
20111638	IU1034B5-16X2W-25deg-WHN(DC12V)
20111639	IU1034B5-18X2W-25deg-WN(DC12V)

Available beam angles:

Single color: 15°, 25°, 40°, 60°

RGB: 15°, 25°, 40°, 60°, 4525

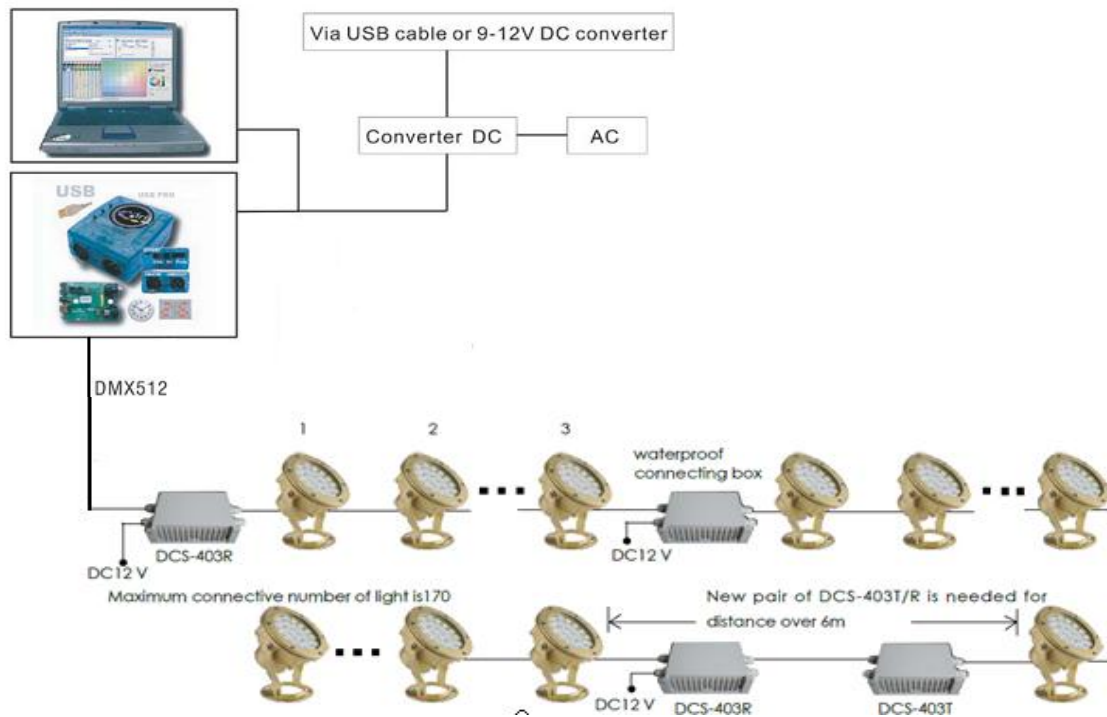
## Dimensions (mm)



**System Control (single color)**



**System Control (color changing)**



Remarks:  
 Maximun serial connective number of lights is 2PCS, new waterproof connecting box is needed for over 2 PCS;